



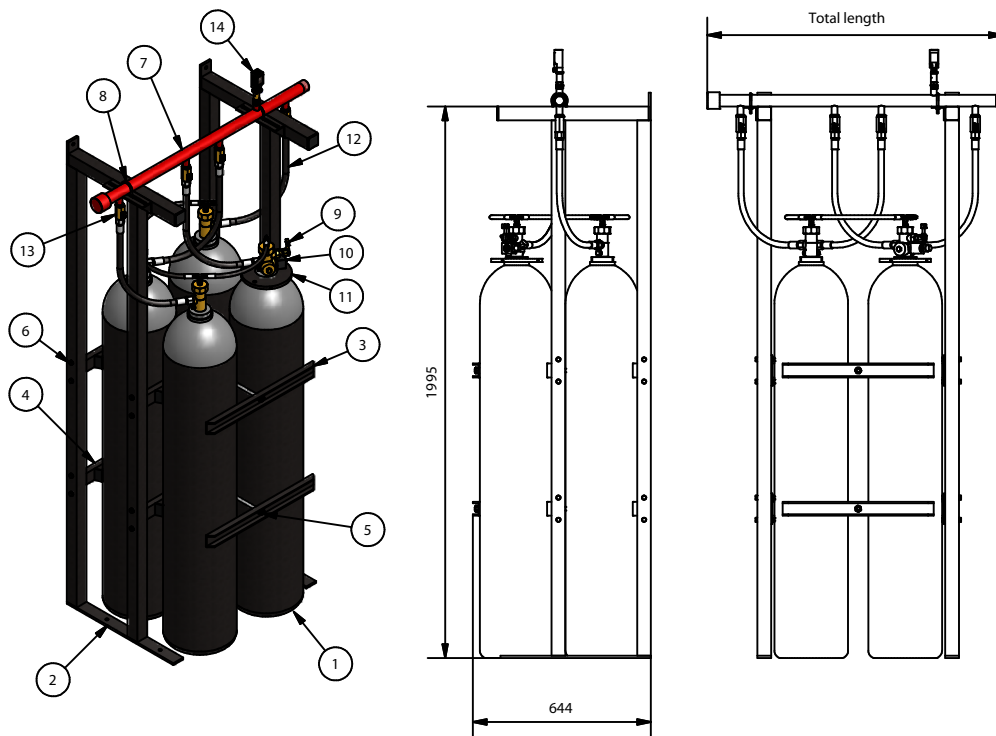
BATTERIES OF CYLINDERS OF 67 L (DOUBLE ROW)

AEX/SBCOx67D

Specifications					
Reference	Nº of cylinders	Maximum load*	Total length	Manifold output**	Manifold Reference**
AEX/SBCO367D	3	135 Kg.	1069 mm	Male NPT 1"	CC1D3
AEX/SBCO467D	4	180 Kg.	1069 mm	Male NPT 1 1/4"	CC114D4
AEX/SBCO567D	5	225 Kg.	1409 mm	Male NPT 1 1/4"	CC114D5
AEX/SBCO667D	6	270 Kg.	1409 mm	Male NPT 1 1/4"	CC114D6
AEX/SBCO767D	7	315 Kg.	1749 mm	Male NPT 1 1/2"	CC112D7
AEX/SBCO867D	8	360 Kg.	1749 mm	Male NPT 1 1/2"	CC112D8
AEX/SBCO967D	9	405 Kg.	2089 mm	Male NPT 2"	CC2D9
AEX/SBCO1067D	10	450 Kg.	2089 mm	Male NPT 2"	CC2D10
AEX/SBCO1167D	11	495 Kg.	2429 mm	Male NPT 2"	CC2D11
AEX/SBCO1267D	12	540 Kg.	2429 mm	Male NPT 2"	CC2D12
AEX/SBCO1367D	13	585 Kg.	2769 mm	Male NPT 2"	CC2D13
AEX/SBCO1467D	14	630 Kg.	2830 mm	Flange 2 1/2"	CC212D14I

* The maximum filling density can reach 0.745Kg / L if a maximum temperature of 50°C is guaranteed in the room where the battery is located.

** The collector diameter may vary depending on hydraulic calculations of each installation.



Parts list		Parts list	
Nº Piece	Reference and Description	Nº Piece	Reference and Description
1	BCO67 - Cylinder 67 L	8	HA(x) - U-bolt support (x) inches
2	HP-1995D - Support feet single row 1995mm	9	AEXPM160 - Hand lever
3	HTA(x) - Preceding crossbar for(x) cylindres	10	AEX/VS24 - Solenoid valve
4	HTP(x) - Rear crossbar for (x) cylindres	11	BRW80CO-1 - Flange W80
5	HVD - Divider rod	12	LCO12B-1 - 1/2" Hose for batteries
6	TO8M70 - Screws, nuts and washers M8	13	AEX-VAR12 - Check valve 1/2"
7	CC(x)D(y) - CO2 manifold (x) inches s/f for (y) cylinders	14	AEX-CP1 - Pass contactor (optional)

Description: Complete Cylinder Battery, including manual & electric actuator, pressure gauge, hoses and manifold.

Code sheet:	Group sheet:	Reference:	Drawn:	Date:	Revised:	Date:	Review:	Format:
AEX-FTC-02-007	CO2	VER TABLA	DCM	02/11/2016	MRC	02/11/2016	1	A4